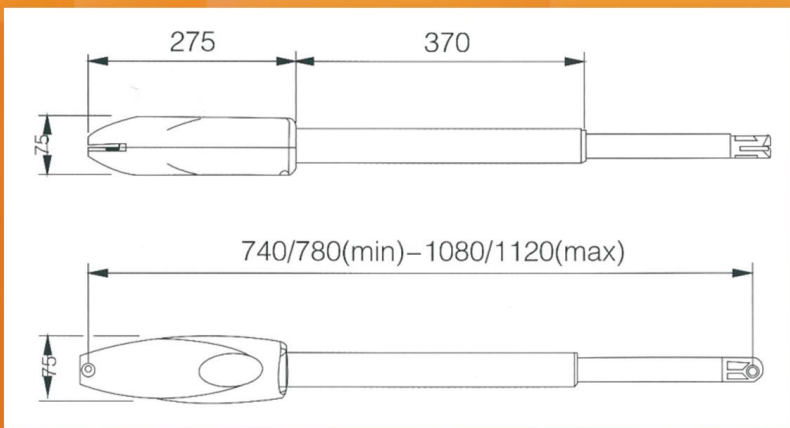
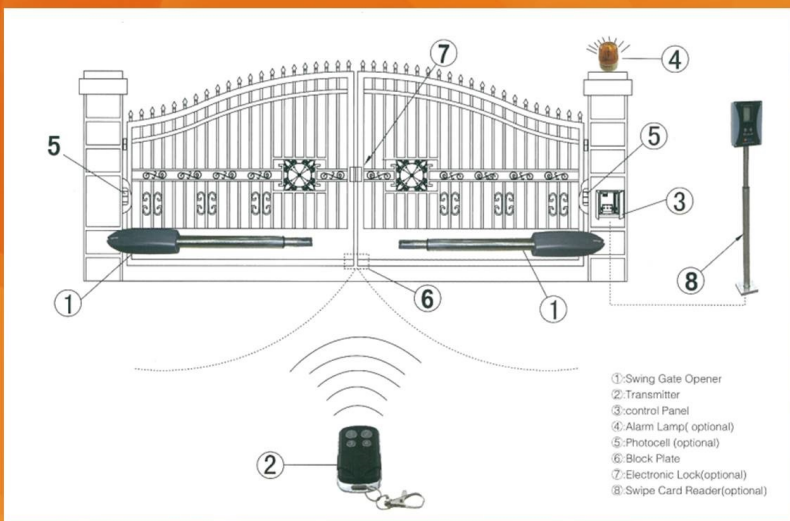




The Exquisite



PROTECH ENGINEERING & SERVICES
SUNTEC TOWER ONE
7 TEMASEK BOULEVARD # 12-07
SINGAPORE 038987

TEL : 67768324

WEB : 6PROTECH.COM.SG

Motor's Power	24VDC 60W	Max. Motor Running Time	5min	Rotational Speed	100PRM
Actuator Running Speed	2.4 cm/s	Max. Actuator Stroke	300mm/400mm	Max single-leaf Length	3m/3.5m
Max Single-leaf Weight	300Kg/350Kg	Working Temperature	-20°C~50°C	Protection Class	IP55